



*DecoForme used in both wall and ceiling applications at the Würth head office, Auckland*



DecoForme™ decorative battens provide a warm textured appearance for a wide variety of paneling

Ideal for wall and ceiling applications in either a vertical or horizontal set out, this guide provides fixing recommendations to help you with installation.

This guide shows our rectangular battens however some of the fixing techniques also relate to our half-round battens.

When you've completed your installation, and you're as happy with the result as we're sure you will be, send us photos of it, we'd love to see how it looks (and we'd be happy to promote your work through our marketing channels!

**web:** [impresspanels.co.nz](http://impresspanels.co.nz)

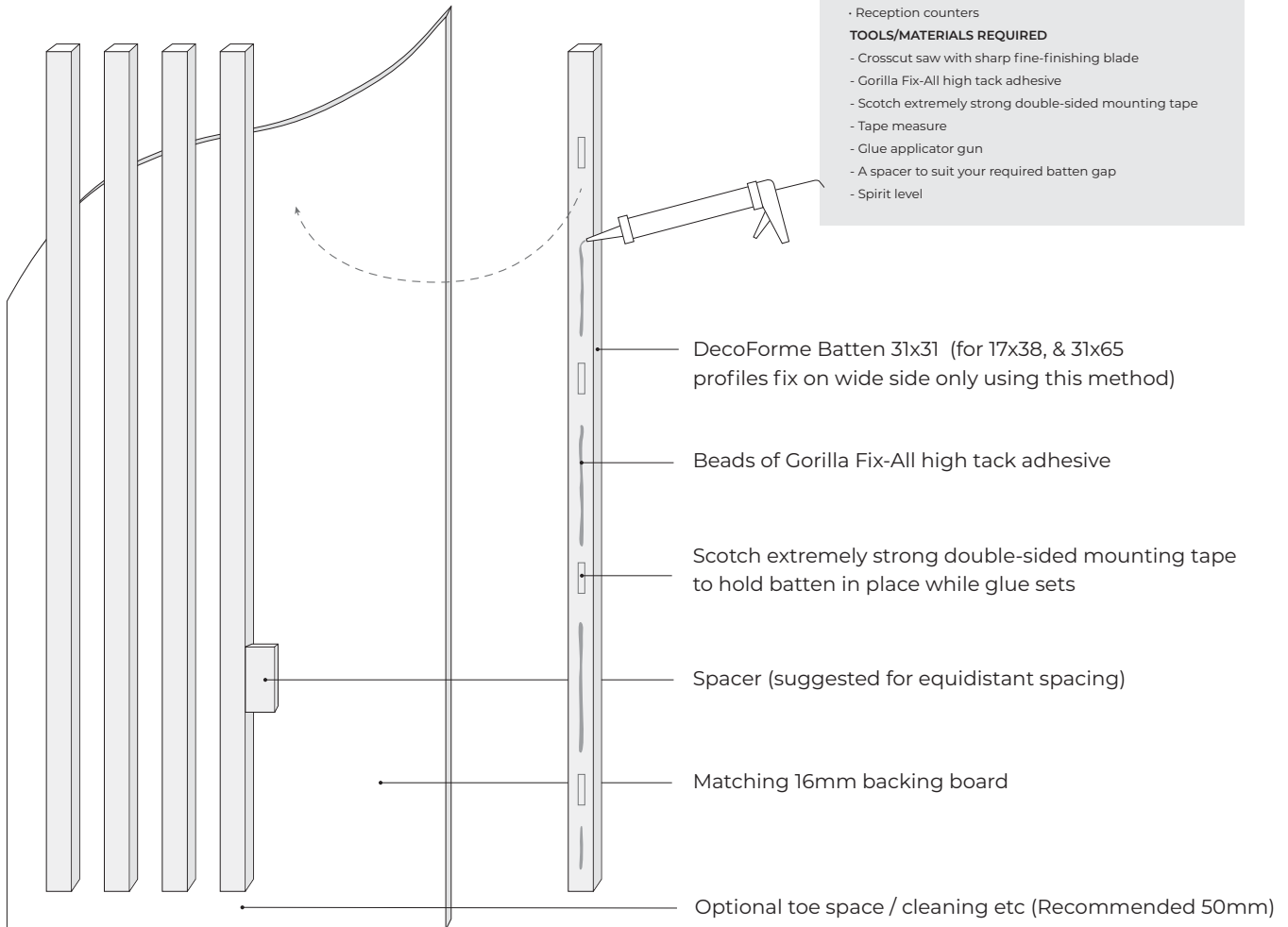
**email:** [sales@impresspanels.co.nz](mailto:sales@impresspanels.co.nz)

**phone:** 03 929 5641



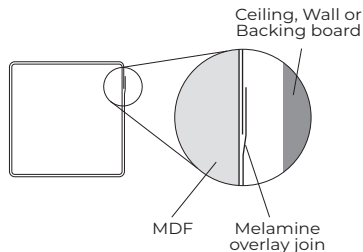
## Direct fixing wall/ceiling features

### Adhesive Method



1) Decide on the position of your first batten and ensure you have a straight edge or fixed reference point for the placement of the first batten

2) Locate the back, which is the side that has the join in the decorative overlay. Face this side down when you cut



3) Cut DecoForme battens to the required length, slowly and with a sharp fine finishing blade so as not to rip the overlay

4) Cut multiple sections of scotch extremely strong mounting tape to approx. 50mm.

5) If using 31x31 batten, please ensure you apply glue and tape to the side with the join in the decorative overlay. If using 17x38 or 31x65, these profiles can only be fixed on the wide side when using this method

6) Apply the 50mm sections of scotch extremely strong mounting tape to your cut to length batten at centres of approx. 500mm (no closer than 100mm from each end of the DecoForme Batten). Remove protective barrier on scotch tape to expose adhesive

7) Run a bead of gorilla high tack fix all adhesive glue between the sections of scotch tape you have applied to your decorative batten

8) Fix the DecoForme batten to your wall/ceiling/backing board/bar front by applying pressure along the length of the profile, particularly to the sections where the scotch tape has been applied

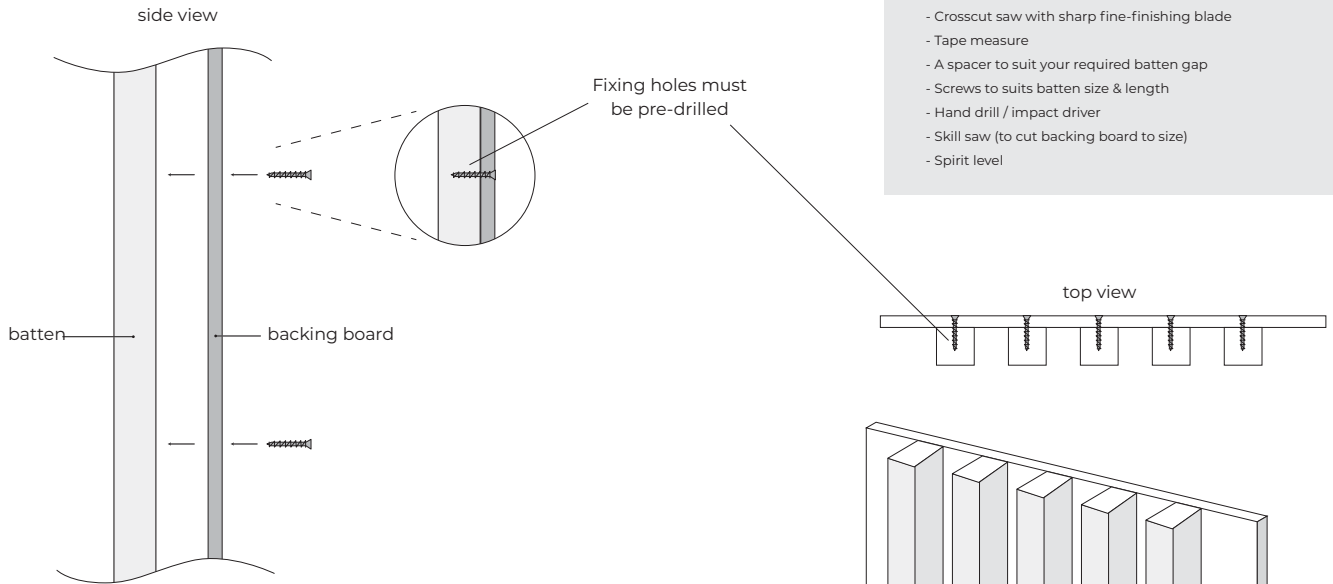
9) We suggest cutting some spacers that match the gap you require between each batten. This will make installation easier and ensure a consistent gap throughout your project

10) Repeat steps for each batten until your project is complete!

## Direct fixing wall/ceiling features

### Mechanical Fixing Method

Fixing batten on to backing board from behind



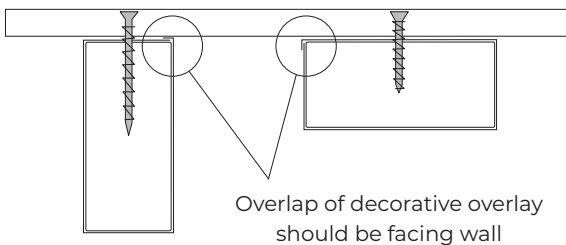
#### METHOD SUITABLE FOR:

- All DecoForme profiles
- Kitchen bar fronts
- Wall & ceiling features
- Headboards
- Reception counters

#### TOOLS/MATERIALS REQUIRED

- Crosscut saw with sharp fine-finishing blade
- Tape measure
- A spacer to suit your required batten gap
- Screws to suits batten size & length
- Hand drill / impact driver
- Skill saw (to cut backing board to size)
- Spirit level

DecoForme battens can be screw secured to support either long edge or short edge



- 1) Measure the area you are wanting to fit DecoForme to and cut a backing board to suit
- 2) Decide on the position of your first batten and ensure you have a straight edge or fixed reference point for the placement of the first batten
- 3) Locate the back, which is the side that has the join in the decorative overlay. Face this side down when you cut
- 4) Cut DecoForme battens to the required length, slowly and with a sharp fine finishing blade so as not to rip the overlay
- 5) Pre-drill holes in the backing board, spaced to suit size of batten and preferred spacing
- 6) Fix battens using a spacer to ensure equidistant spacing
- 7) Now fix the entire backing board to your wall or bar front using suitable fixings fit for purpose

A spacer is recommended to ensure equidistant spacing

## Direct fixing wall/ceiling features

### Striplox Method

We recommend Striplox Connector Pro23. The below instruction is based on these  
A useful instructional video is available at [Fit-NZ](#) here

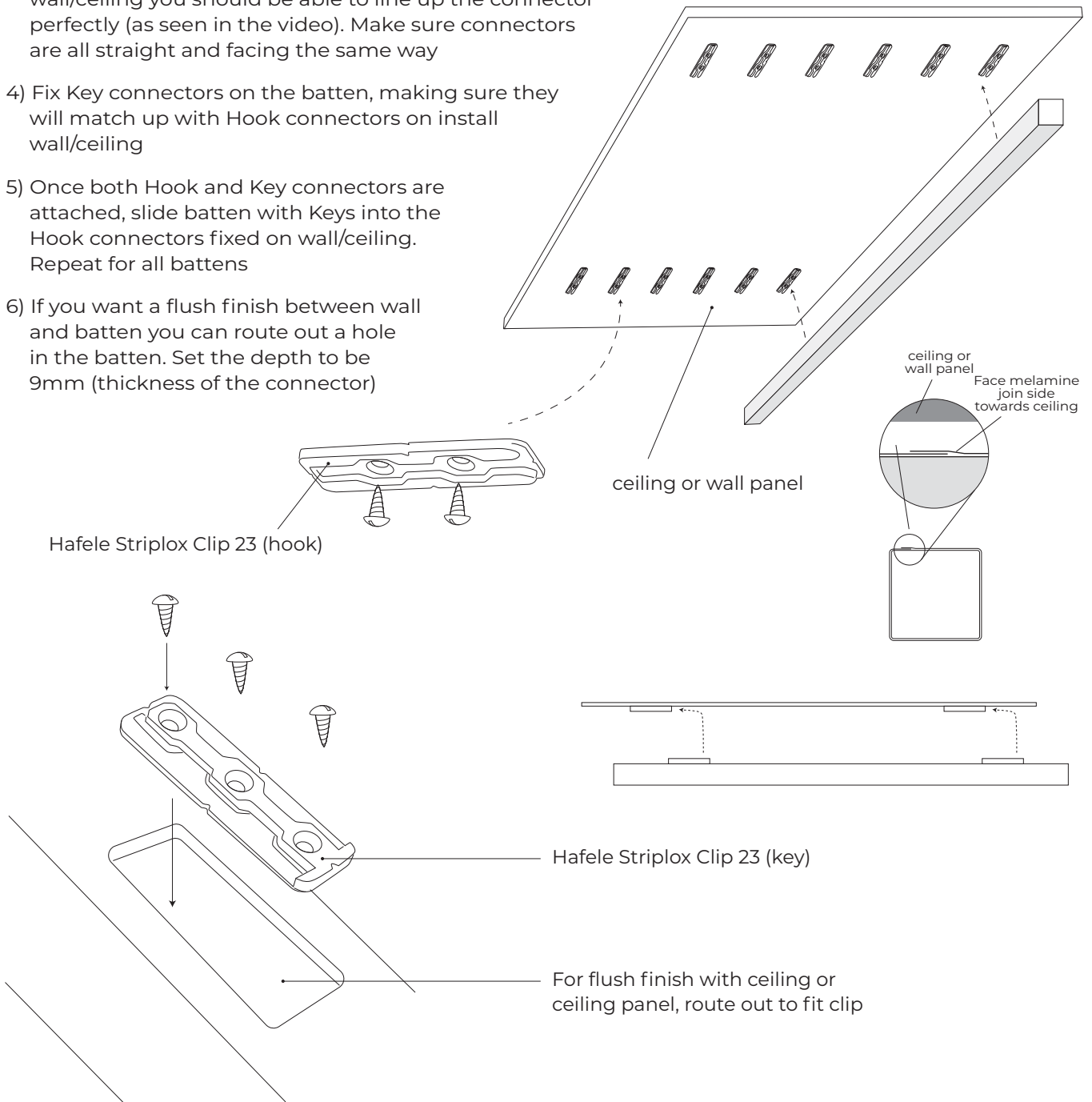
- 1) Separate Striplox Pro23 connectors into two parts: Key and Hook
- 2) Position Hook connectors for first batten on install wall. Pre-drill holes for screws and then fix the Hook connectors to wall/ceiling panel
- 3) When marking the position for these connectors to sit, the connectors have a small indent in the middle of each side, so if you draw a vertical and horizontal line on batten and wall/ceiling you should be able to line up the connector perfectly (as seen in the video). Make sure connectors are all straight and facing the same way
- 4) Fix Key connectors on the batten, making sure they will match up with Hook connectors on install wall/ceiling
- 5) Once both Hook and Key connectors are attached, slide batten with Keys into the Hook connectors fixed on wall/ceiling. Repeat for all battens
- 6) If you want a flush finish between wall and batten you can route out a hole in the batten. Set the depth to be 9mm (thickness of the connector)

#### METHOD SUITABLE FOR:

- Bigger DecoForme profiles only (31x65, 50x70, 50x100)
- Walls and Ceilings

#### TOOLS/MATERIALS REQUIRED

- |  |  |
|--|--|
| - Crosscut saw with sharp fine-finishing blade   | To rout out the batten for a flush finish: |
| - Tape Measure                                   | - Routing machine                          |
| - Pencil   | - Clamps                                   |
| - Screws to suit batten size and Connectors      |  |
| - Striplox Connector Pro23 – Narrow – 28x89x9mm. |  |
| - Drill  |  |



## Office Screen/Partition In Frame Method

This method is used when installing a screen in an open plan area where there is no wall to fix the battens on to. It is the simplest and most straight forward of the installation methods for an open plan screen.

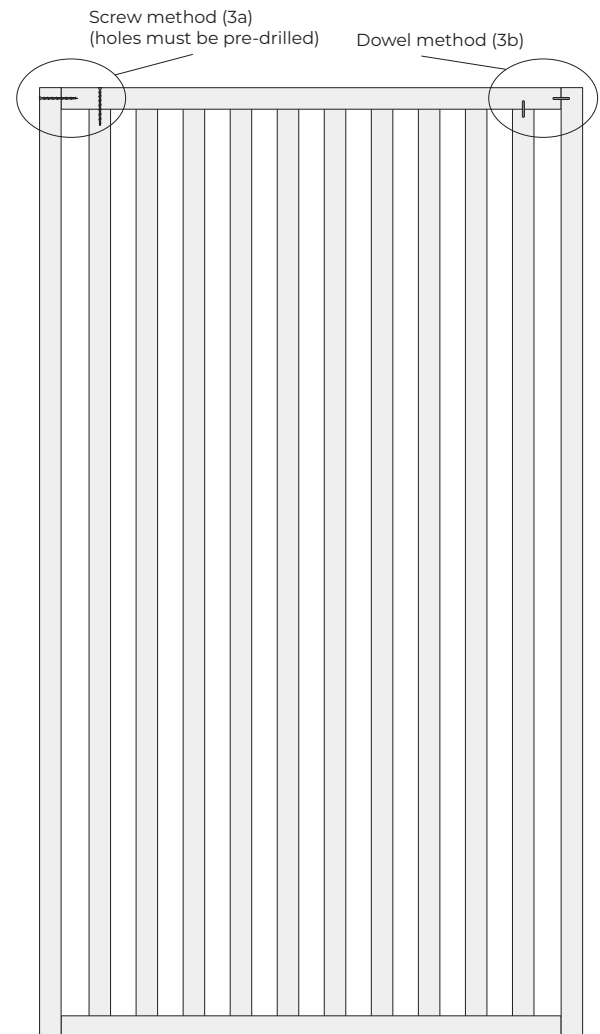
### METHOD SUITABLE FOR:

- Suitable profiles for this method are 50x70 and 50x100
- Partitions

### TOOLS/MATERIALS REQUIRED

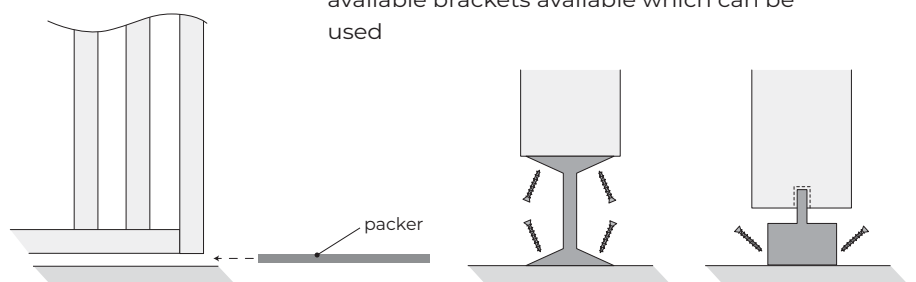
- Crosscut saw with sharp fine-finishing blade
- Tape measure
- A spacer to suit your required batten gap
- Screws to suit batten size
- Hand drill / impact driver
- PVA Glue or similar
- Spirit level
- Dowels (optional)

- 1) Measure your overall opening size, height and width
- 2) Cut two battens to length to suit the height of the opening, and two battens to suit the width. Ensure the top and bottom 'width' battens are cut to fit inside the vertical battens. This ensures you do not see any end grain. Cut slowly and with a sharp fine finishing blade so as not to rip the overlay
- 3) Assemble the exterior frame. Two common options for this are:
  - a. Screw fix through the vertical battens and into the top and bottom battens using screws suitable for the size of your chosen batten. You will need to pre-drill holes and countersink. We also recommend using PVA glue. Please note that in using this method the fixings will be visible. Do not yet fix the frame into the opening. Ensure frame is square and true
  - b. For concealed fixing, select a dowel and drill a hole to suit the dowel in both the vertical and top/bottom battens. Use a PVA glue on and around the dowel and fit the pieces together. Do not yet fix the frame into the opening. Ensure frame is square and true
- 4) Now cut the battens that fit inside the frame. To do this, measure the internal height of the frame – the inside measurement between the top and bottom battens. You will need to determine how many battens you require by measuring the overall width of your frame and dividing by the batten thickness + your chosen space between each batten
- 5) Install the battens inside the frame at the spaces you have chosen. Screw fix through the top and bottom battens into the vertical battens using screws suitable for the size of your chosen batten. You will need to pre-drill holes and countersink. We also recommend using PVA glue. Alternatively, the dowel method can be used



- 6a) Once all battens are installed, stand the completed frame up into the opening. This will need to be secured at the top and bottom, and on the sides if possible. These fixings will be visible so keep them as discrete as possible. Fixings should be every 900mm as a minimum, and fit for purpose

- 6b) If the ceiling and floor are both already in place then you will need the frame to be a few millimetres shorter in order to stand the frame up into the gap. Once upright, slide a packer in to the gap at the base. Or see #7



- 7) There are a number of commercially available brackets available which can be used

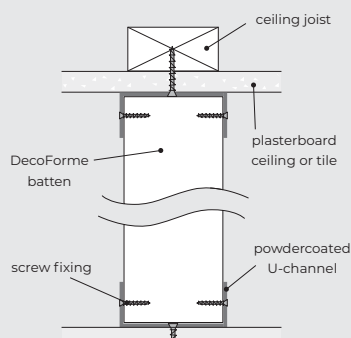
## Office Screen/Partition

### No Frame Method

This method is used when installing a screen into an open plan area. The battens will run the full height of the opening, from the floor to the ceiling which provides a 'floating' look.

- 1) Measure the total height of the opening from the bottom fixing point (floor) to the top fixing point such as the joists or beam. Deduct a small amount of clearance (such as 1 or 2mm) at the bottom. This will be your final batten length.
- 2) Measure the width of the overall opening and decide at what centres the battens will be placed at. This will give you the total number of battens required
- 3) The bottom of the battens will be held in place by a pin or concrete anchor such as <https://strongtie.co.nz/products/thd-titen-hd-heavy-duty-s-crew-anchor-concrete-masonry>. To install the anchors follow the instruction from the supplier and install in position to suit your batten centres. Drive the anchors into the floor until there is approx. 5mm of thread left above the floor. The anchor head will be protruding from the floor
- 4) Measure the diameter of the anchor head and drill a hole in the centre of each batten, at the bottom end only. Make the hole just big enough for the anchor head to fit inside.
- 5) You are now ready to install the battens. First apply a small amount of wood-to-metal glue such as Gorilla Glue (check the specifications on the tube) inside the hole in the bottom of your first batten. This will lock over the anchor and prevent rattle and movement
- 6) Fixing the batten at the top depends on your situation. Options as follows:
  - a. If you have access to the ceiling cavity, fix your DecoForme battens to the ceiling battens/joists. This will require 2 people. Note that you may be required to add fixing above the ceiling to match with the placement of the DecoForme battens. If this is required please refer to your builder
  - b. If retro fitting or there is insufficient space above the ceiling, we recommend a powder-coated (or painted) L or U-channel is fixed to the ceiling and into the ceiling battens/joists

Alternative to the above 'no frame' method is to fit a U-channel to the floor and ceiling and fix battens to that. Ideally you would have access to one end of the U-channel to slide the Decoforme battens in



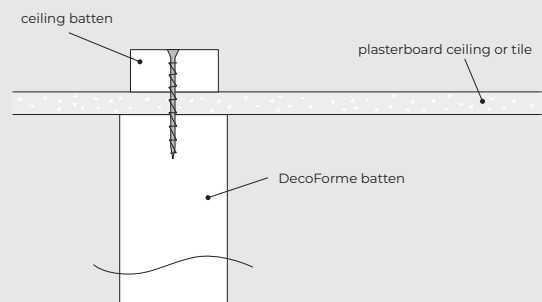
#### METHOD SUITABLE FOR:

- Suitable profiles for this method are 50x70 and 50x100
- Partitions

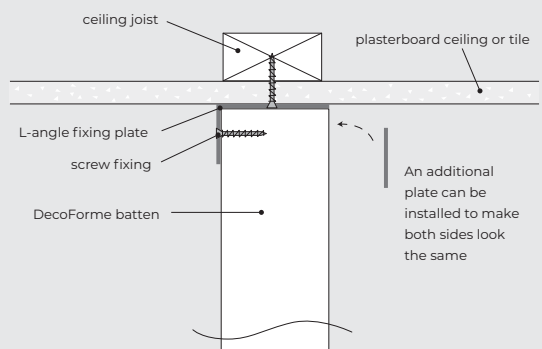
#### TOOLS/MATERIALS REQUIRED

- Crosscut saw with sharp fine-finishing blade
- Tape measure
- A spacer to suit your required batten gap
- Hand drill / impact driver
- Hammer drill
- Concrete anchor bolts
- Gorilla glue or similar
- Glue applicator gun
- Spanner / socket set to suit anchor bolts
- Concrete drill bit to suit anchor bolts
- Spirit level / laser level

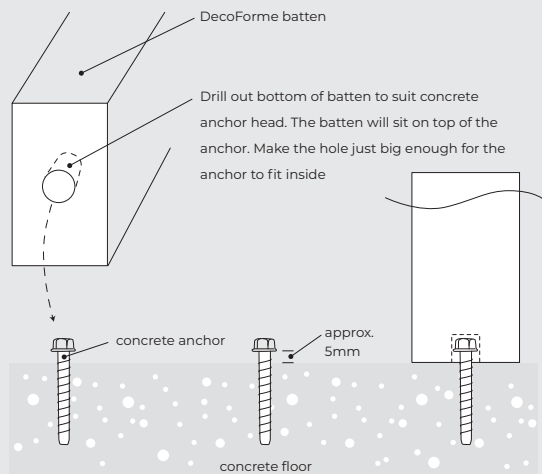
#### Ceiling Fixing - method 6a



#### Ceiling Fixing - method 6b



#### Floor Fixing

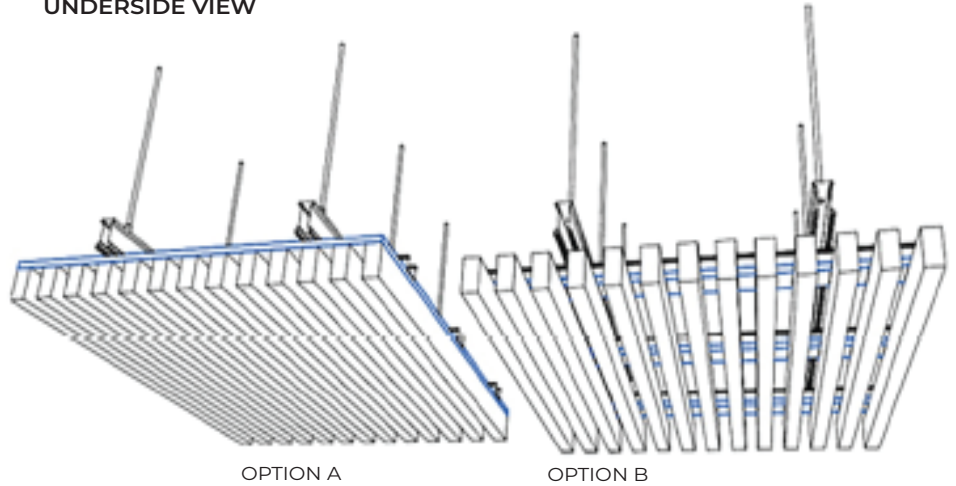


Note: an alternative to this would be #7 on the previous page

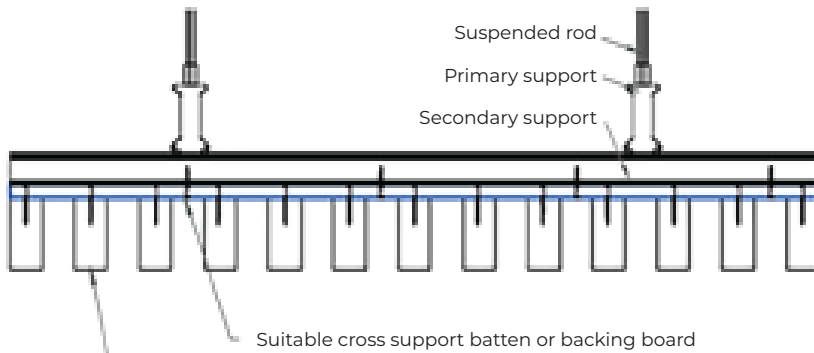
## Suspended ceiling mount

Drawings here are examples of installation methods and are to be used strictly as a guide only. Final details will vary based on specific application and must be designed and approved by qualified professionals. Batten dimensions and weights are available within the DecoForme release document and must be taken into consideration when designing and choosing fixing systems. Refer to ceiling system manufacturers instructions.

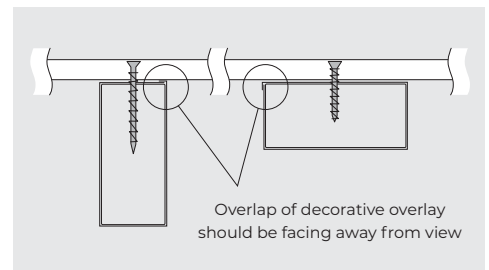
### UNDERSIDE VIEW



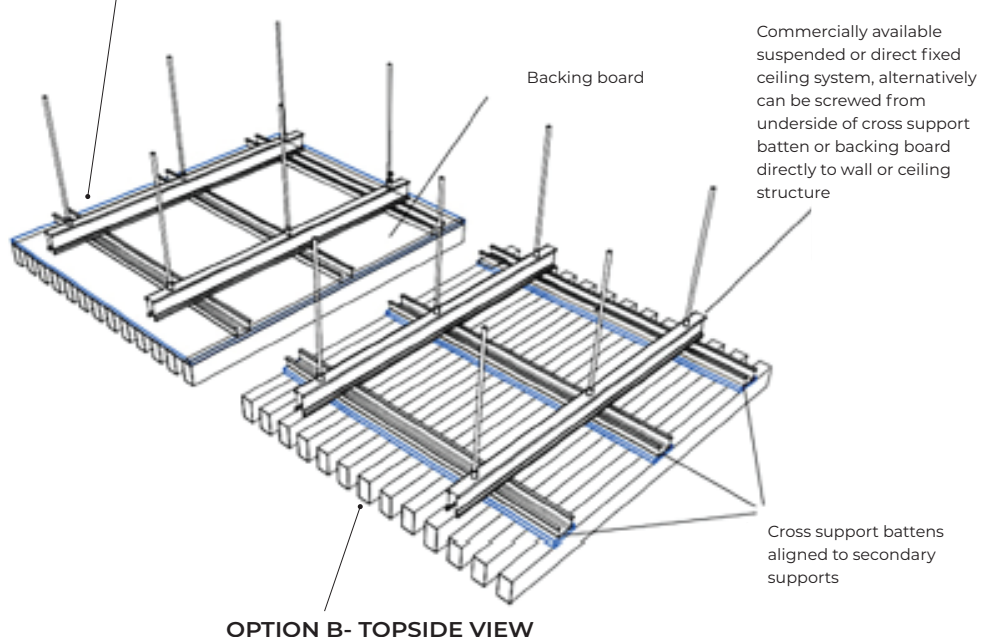
### CROSS SECTION



DecoForme pefinished decorative battens - pre-assembled by screwing from the backside of cross support battens or backing board



### OPTION A - TOPSIDE VIEW



Commercially available suspended or direct fixed ceiling system, alternatively can be screwed from underside of cross support batten or backing board directly to wall or ceiling structure

Cross support battens aligned to secondary supports